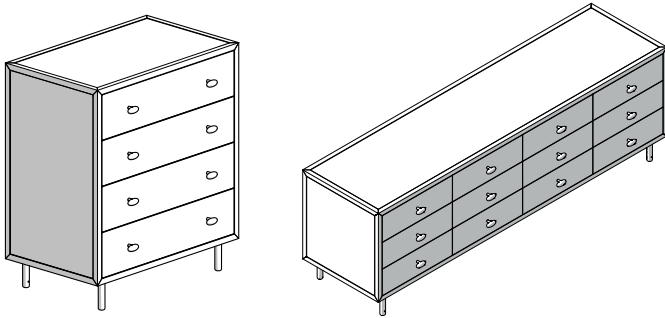


ASSEMBLY INSTRUCTIONS

CLASSON CABINETRY BY JASON MILLER

These instructions apply to all Classon chests and sideboards.



PARTS

1x Cabinet body
Drawers - quantity varies per model/shipped within the cabinet

YOU WILL NEED

The help of a friend

NOTES

NOTE 1: Be certain that all assembly is carried out on a flat and stable surface. This will ensure a good final result. Reverse the steps to disassemble the piece.

NOTE 2: Your furniture arrives packed in numerous layers that protect it during transport. It is important that you remove the packaging carefully to avoid damaging your furniture. Refer to our information sheet "Unpacking Your Furniture" for further details.

NOTE 3: Great care is required when assembling our products. Use blankets to soften the assembly surface - hard surfaces such as wood or stone flooring may damage the furniture if in direct contact.

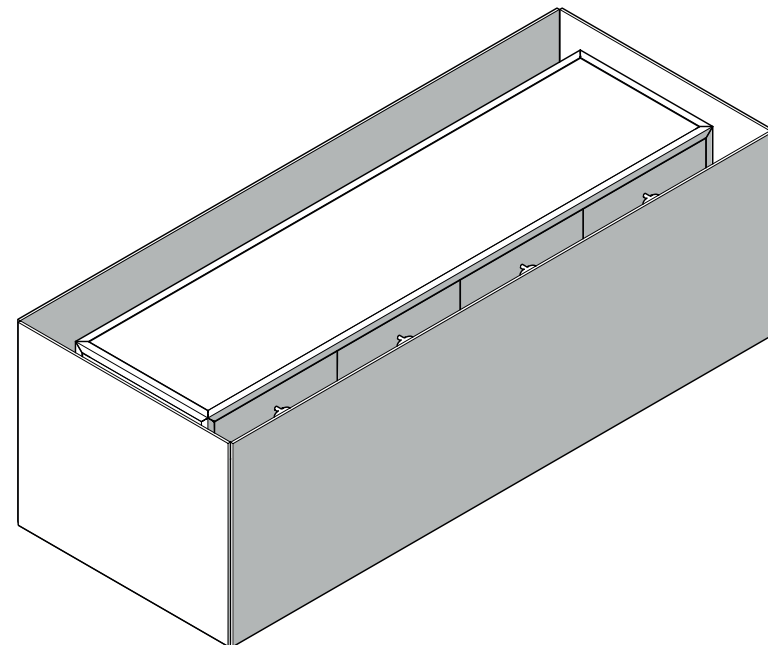
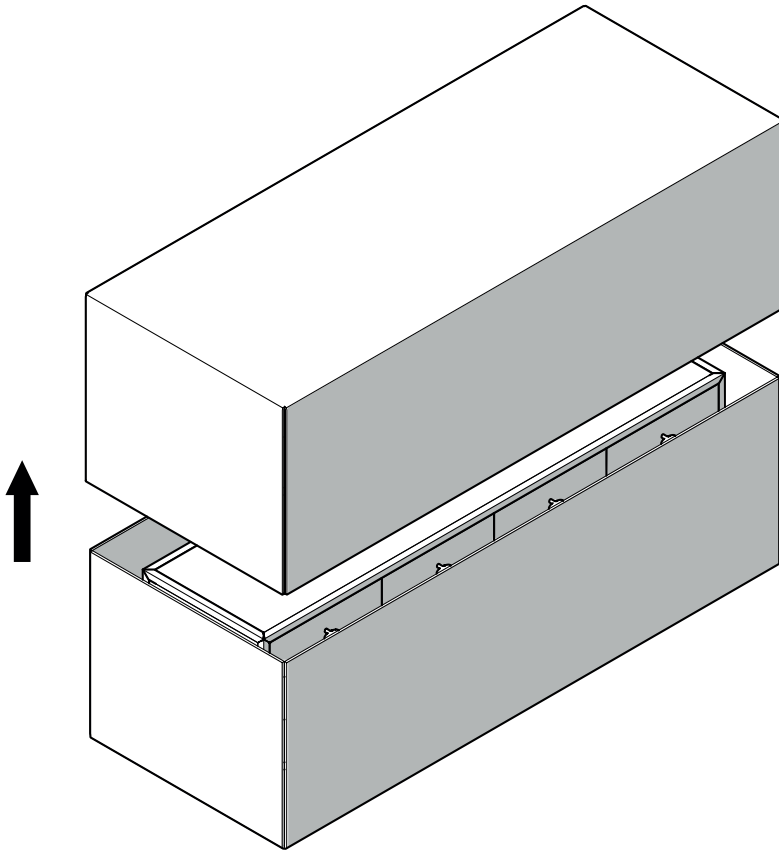
NOTE 4: We advise that assembly and disassembly of De La Espada furniture is undertaken by a minimum of 2 people.

O
1
J
A
S
O
N
M
I
L
L
E
R

ASSEMBLY INSTRUCTIONS CONTINUED
CLASSON CABINETS

1) REMOVE PACKAGING

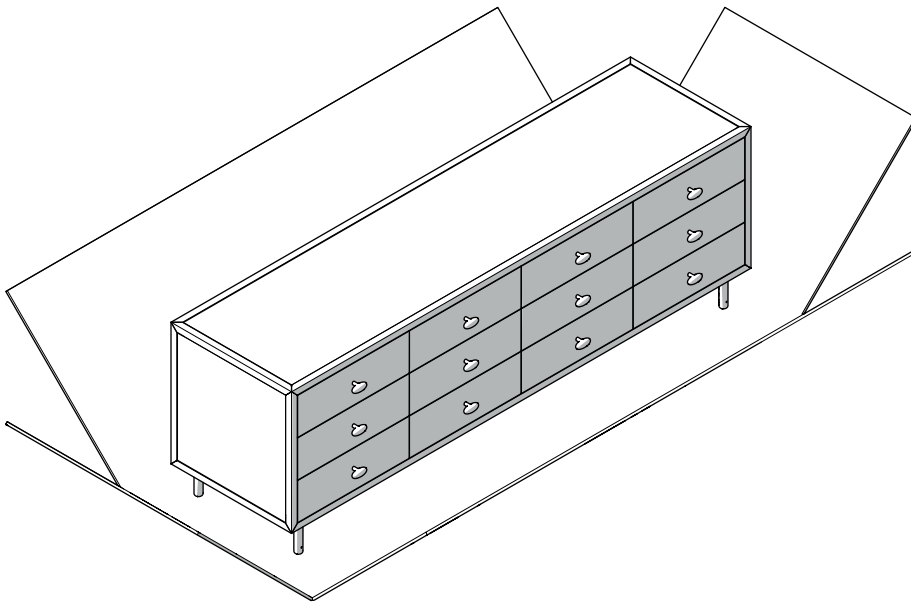
a) Remove the box lid and place it to one side.



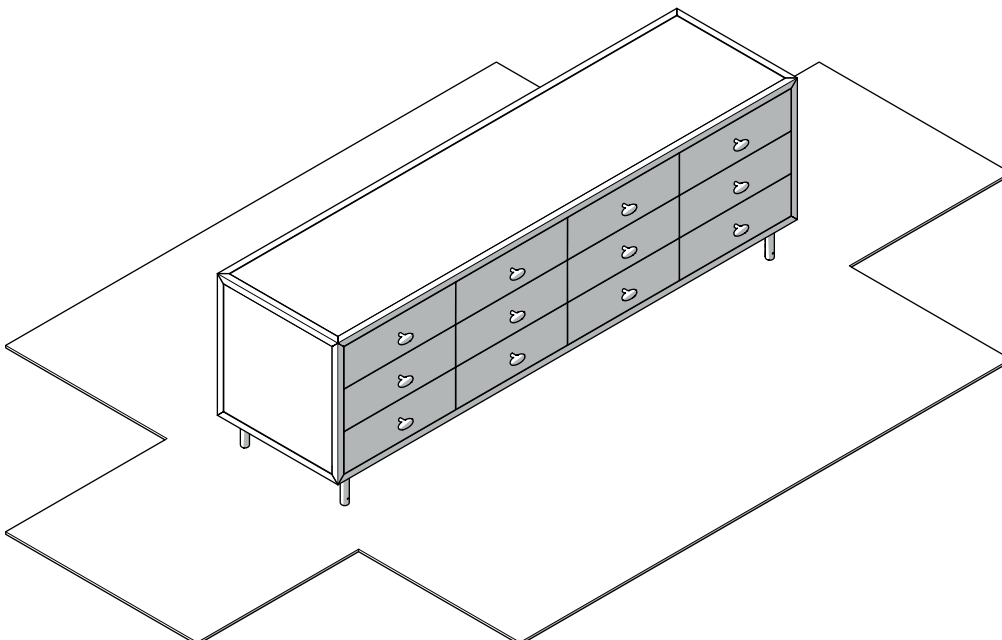
0
2
J
A
S
O
N
M
I
L
L
E
R

ASSEMBLY INSTRUCTIONS CONTINUED
CLASSON CABINETS

b) Carefully cut the box at each corner, being careful not to cut the storage unit.



c) Flatten the box onto the floor. Remove all other packing material.

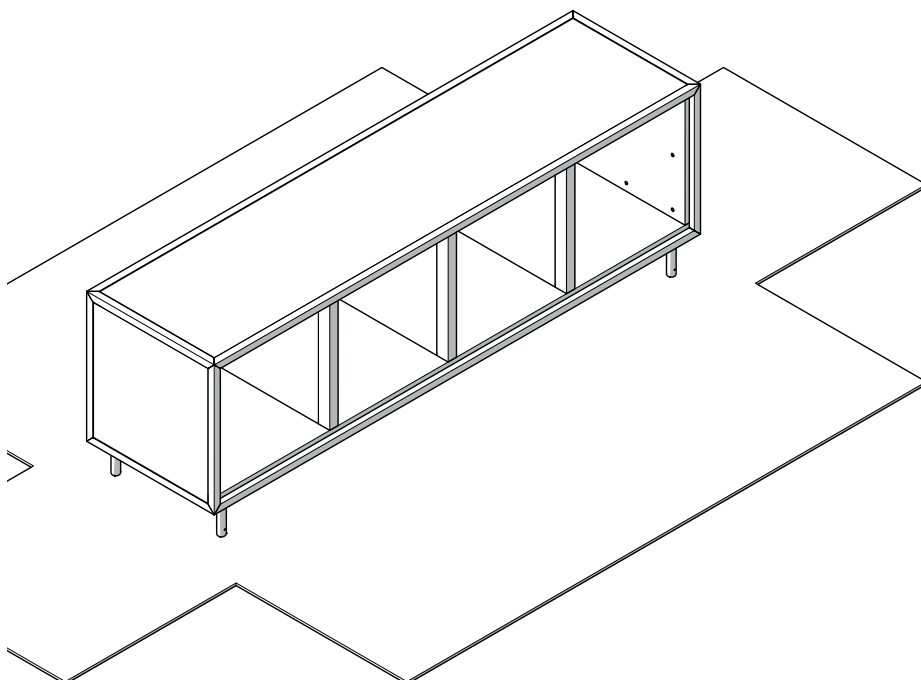
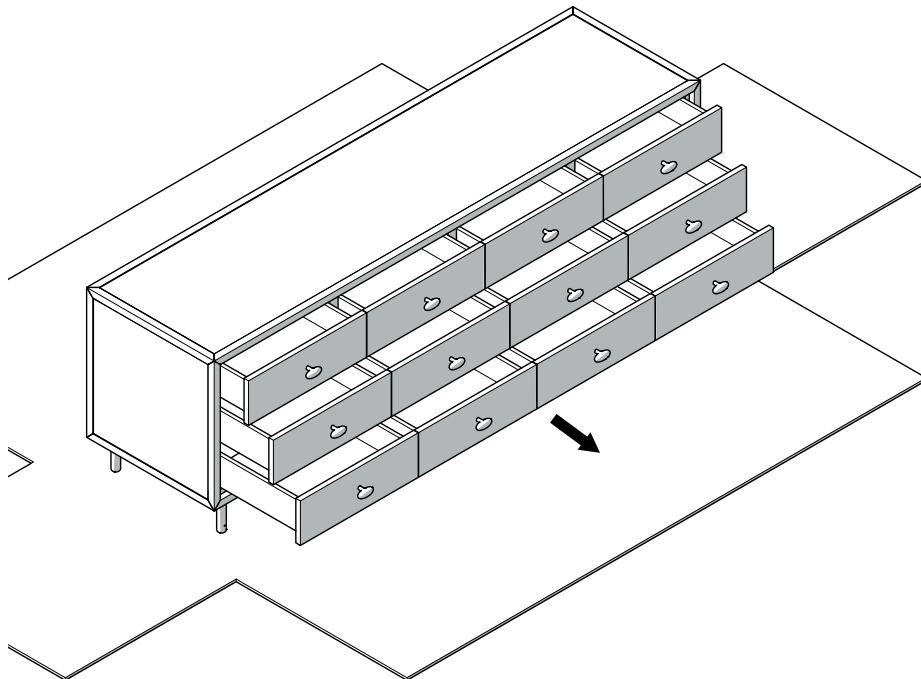


0
3
J
A
S
O
N
M
I
L
L
E
R

ASSEMBLY INSTRUCTIONS CONTINUED
CLASSON CABINETS

2) MOVE THE UNIT TO THE DESIRED LOCATION IN THE ROOM

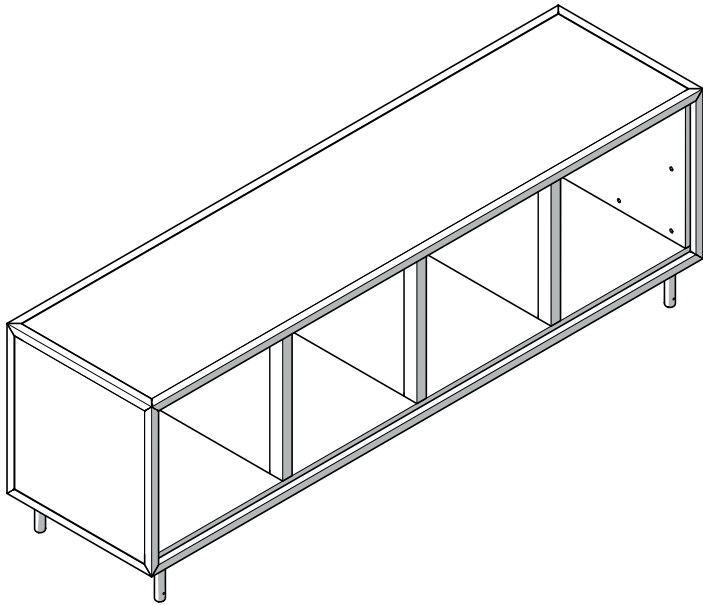
a) If the unit has drawers, remove them to reduce the weight of the unit. To remove each drawer, locate the orange release clips on the base of the drawer, and pull them toward the front of the drawer while pulling the drawer away from the cabinet. Place the drawers to one side, onto a softened surface on the floor.



0
4
J
A
S
O
N
M
I
L
L
E
R

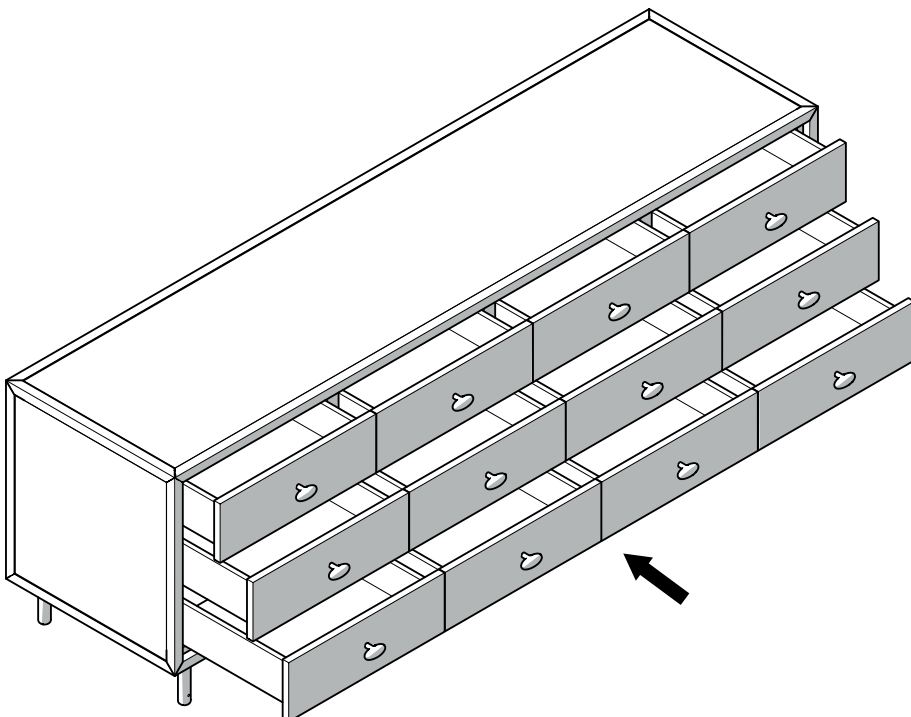
ASSEMBLY INSTRUCTIONS CONTINUED
CLASSON CABINETRY

b) Move the cabinet body to the desired location in the room.



3) INSERT THE DRAWERS (WHERE APPLICABLE)

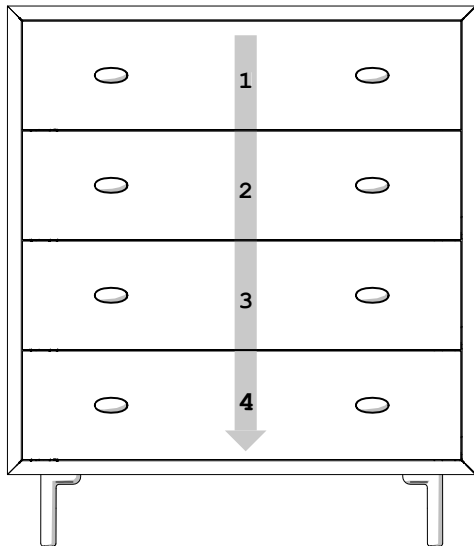
NOTE: You will ensure the best fit by making sure all drawers are placed in the correct position within the cabinet. Each drawer has a number embossed on the bottom. Please refer to the drawings on the next page to understand the number order within the cabinets.



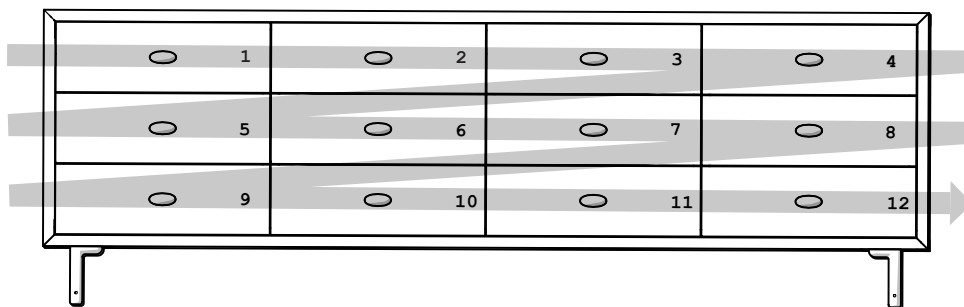
0
5
J
A
S
O
N
M
I
L
L
E
R

ASSEMBLY INSTRUCTIONS CONTINUED
CLASSON CABINETS

Single column chests are numbered from top to bottom.



Multiple column chests are numbered left to right, top to bottom.



a) To install each drawer, locate the orange release clips on the base of the drawer, and pull them toward the front of the drawer while inserting the drawer into the cabinet. Once the drawer is halfway in, release your hands from the clips, and push the drawer closed.

0
6
J
A
S
O
N
M
I
L
L
E
R

ASSEMBLY INSTRUCTIONS CONTINUED
CLASSON CABINETS

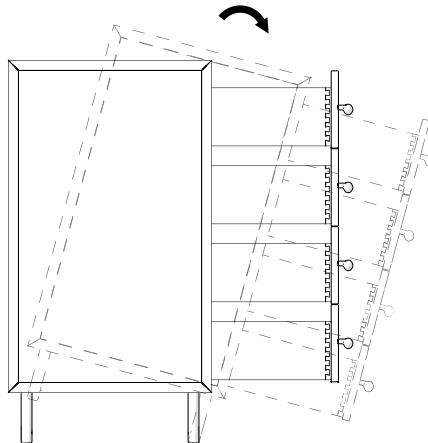
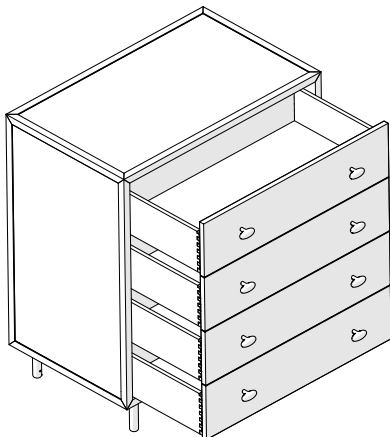
4) ADJUST DRAWERS AS REQUIRED

a) Check that the gaps between the drawers are even. If required, adjust them as follows. Pull out the drawer just far enough to access the small grey plastic locking clips on the rails underneath. These clips are located on the far left and far right just near the drawer front. You can move this locking clip forward or backward until you achieve the desired spacing between the drawers. Close the drawer after each adjustment to check the spacing. In most cases, you will achieve best results by leaving the clip centred.



b) Repeat the above procedure on as many drawers as necessary, until the desired result is achieved.

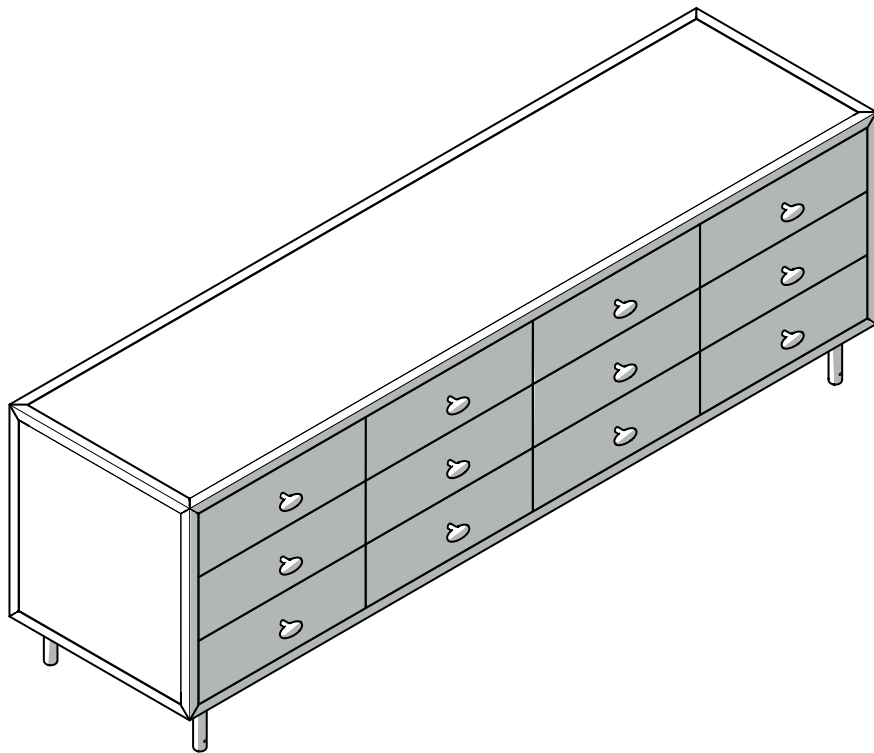
CAUTION: Pull out one drawer at a time and push each back in before opening another. **DO NOT** pull out all of the drawers at once as this will cause the unit to topple over.



0
7
J
A
S
O
N
M
I
L
L
E
R

ASSEMBLY INSTRUCTIONS CONTINUED
CLASSON CABINETS

5) The assembly is now complete and the chest is ready for use.



0
8
J
A
S
O
N
M
I
L
L
E
R