

INSTALLATION INSTRUCTIONS

OCEAN MASTER MAX CENTER POST
EASYDRIVE™ CRANK | AUTO-LIFT



To protect your product, please read the operating instructions before opening the parasol.

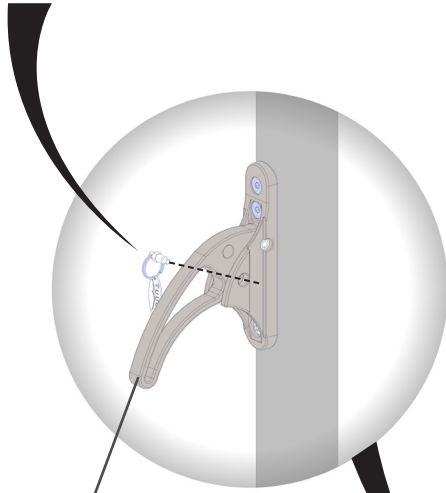
EASYDRIVE™ CRANK | AUTO-LIFT

Step 1

Remove all packaging from in and around parasol.

Step 2

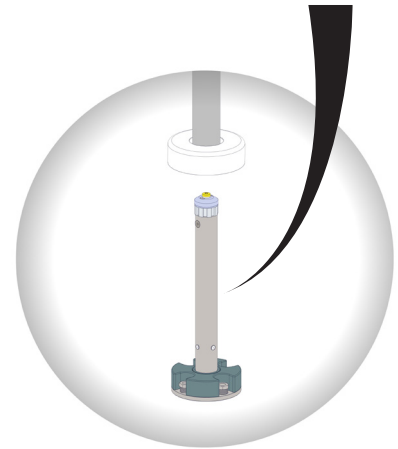
Remove pin from cam lock and lift the handle to unlock.



cam lock handle

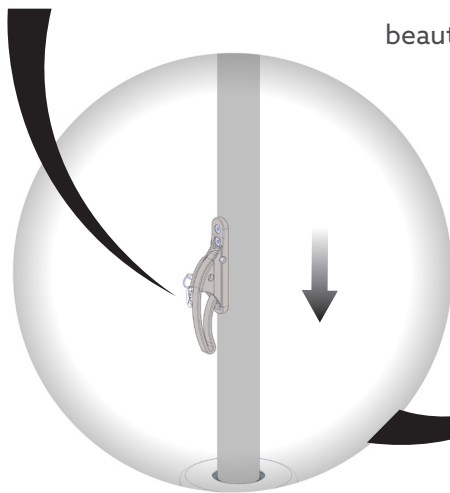
Step 3

Remove security stem from inside parasol and mount to your anchor (instructions included with anchor).



Step 4

Mount parasol onto security stem. Push down cam lock handle and insert pin.



beauty cover

security stem

Step 5

Gently separate each rib from the center hub approximately 10 inches. If the rib does not move easily, do not force. Inspect product for additional packaging.

Applies to:



square



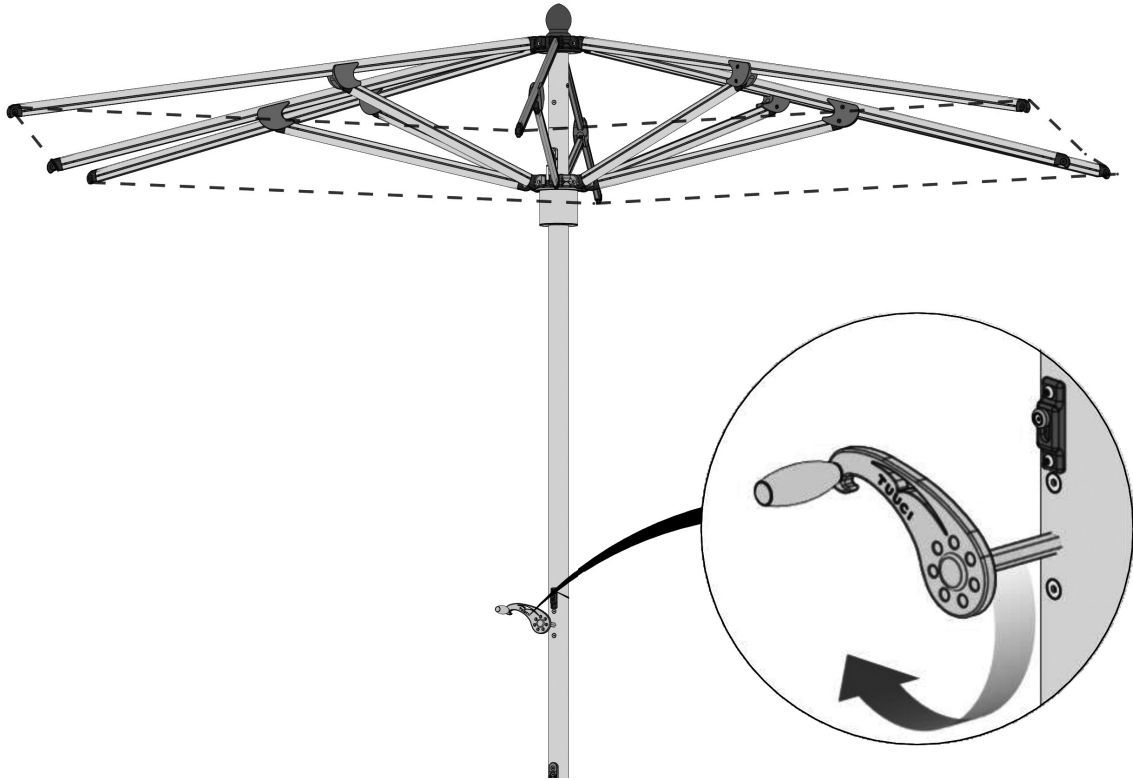
octagon



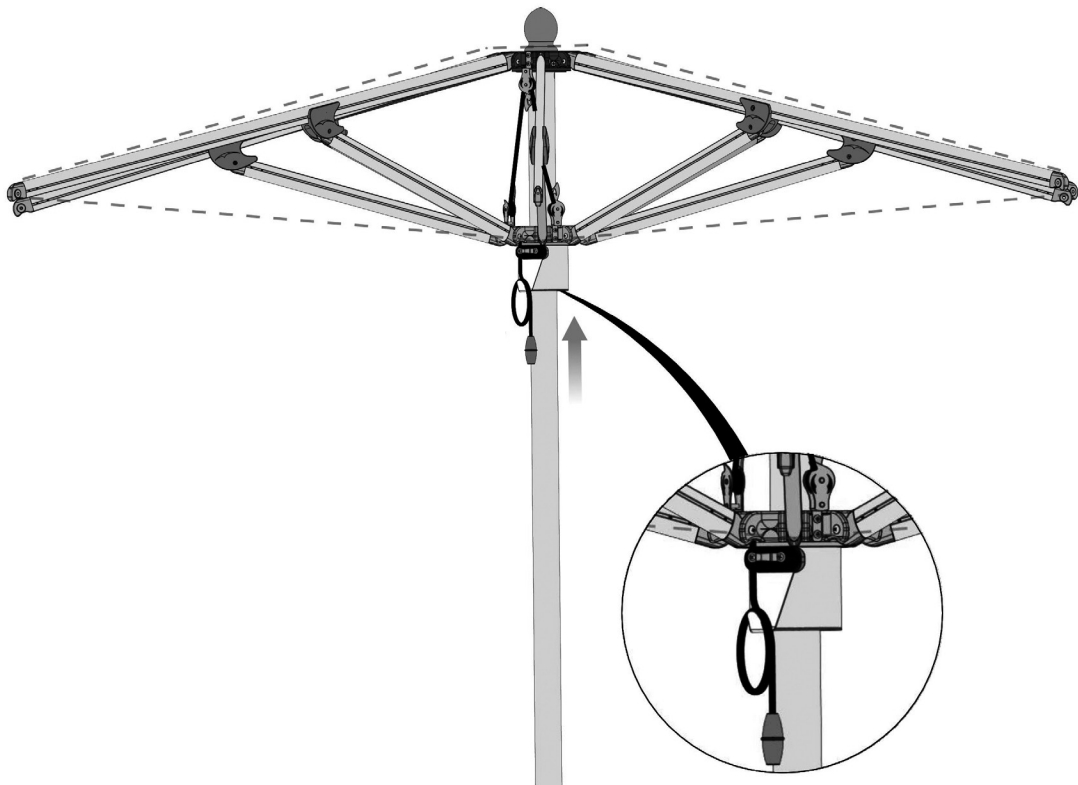
rectangle

EASYDRIVE™ CRANK | AUTO-LIFT

EASYDRIVE™ CRANK SYSTEM
see page 4



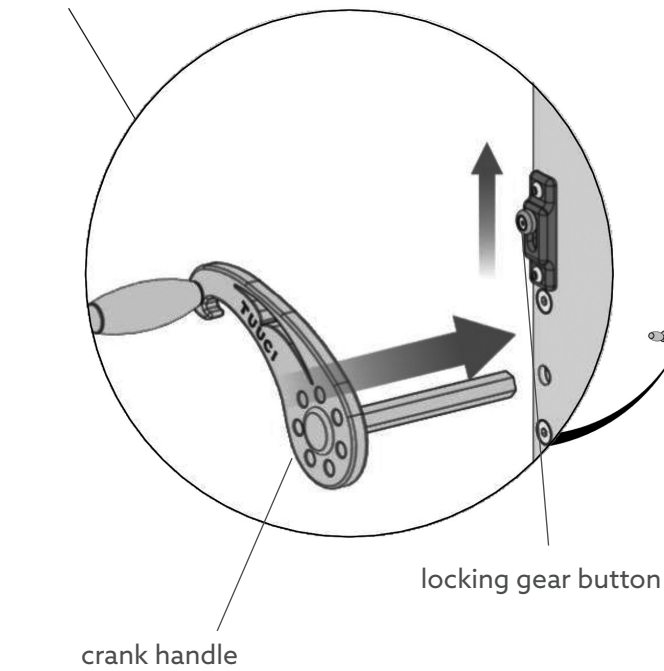
AUTO-LIFT ASSIST SYSTEM
see page 5



EASYDRIVE™ CRANK

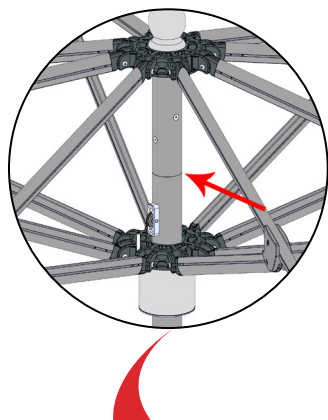
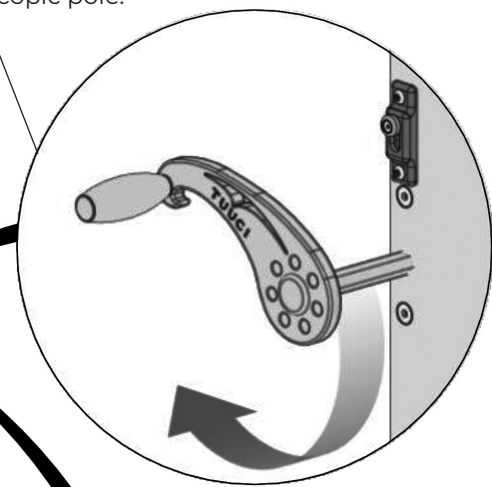
Step 1

Insert crank handle & unlock the locking gear button.



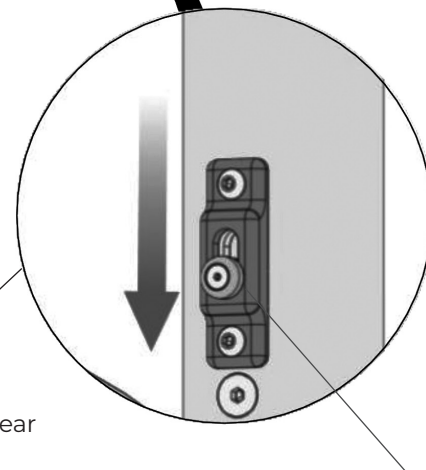
Step 2

Turn crank handle clockwise to open parasol. Stop turning handle once lower pole makes contact with upper telescopic pole.



Step 3

Slide down locking gear button to lock.



*** Important***

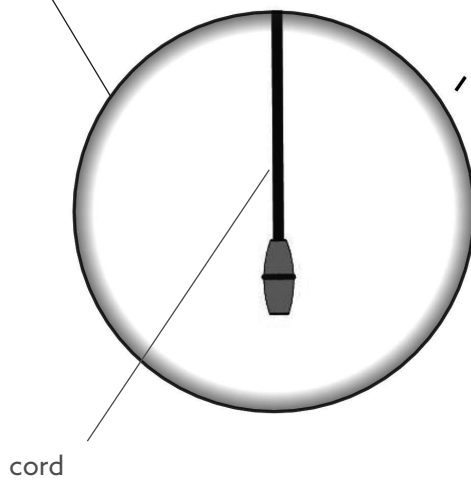
Do not overcrank. Stop when top telescopic head makes contact with main parasol pole.

Note: Close parasol during wind conditions that exceed manufacturer's specifications.

AUTO-LIFT

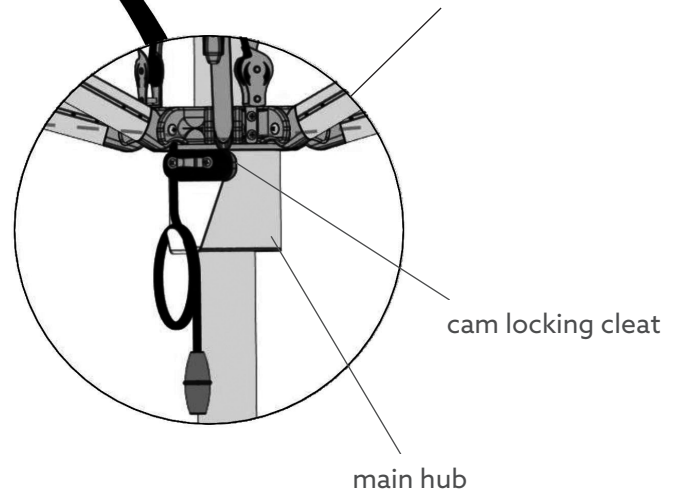
Step 1

Gently pull the cord to move the main hub up the center pole and into open position.



Step 2

Secure cord in cam locking cleat on main hub and hang excess cord coiled on hook.



Note: Close parasol during wind conditions that exceed manufacturer's specifications.