

BAY MASTER MAX CENTER POST



TO PROTECT YOUR PRODUCT, PLEASE READ THE OPERATING INSTRUCTIONS BEFORE OPENING THE PARASOL.

APPLIES TO: SQUARE & OCTAGON

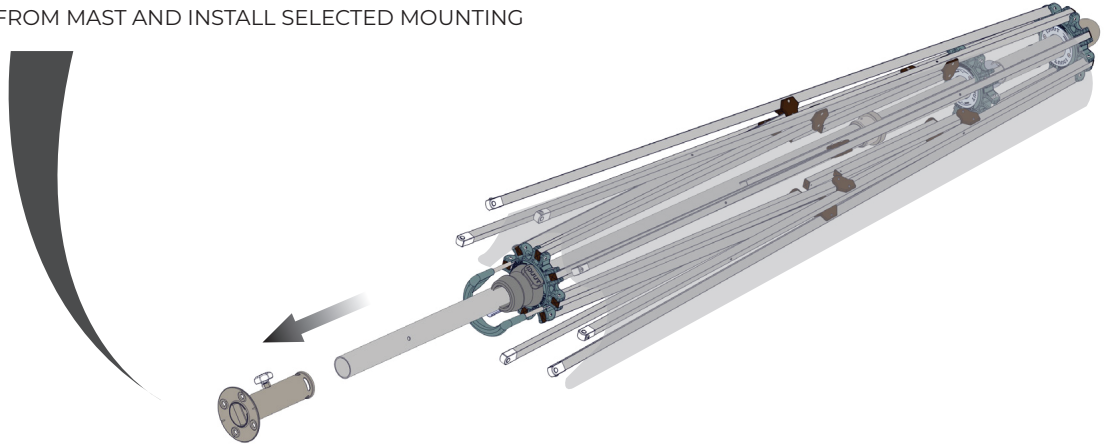
BAY MASTER MAX CENTER POST

STEP 1

REMOVE ALL PACKAGING FROM IN AND AROUND PARASOL.

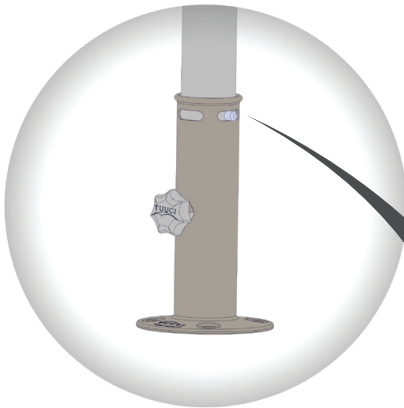
STEP 2

REMOVE DECK MOUNT FROM MAST AND INSTALL SELECTED MOUNTING ANCHOR.

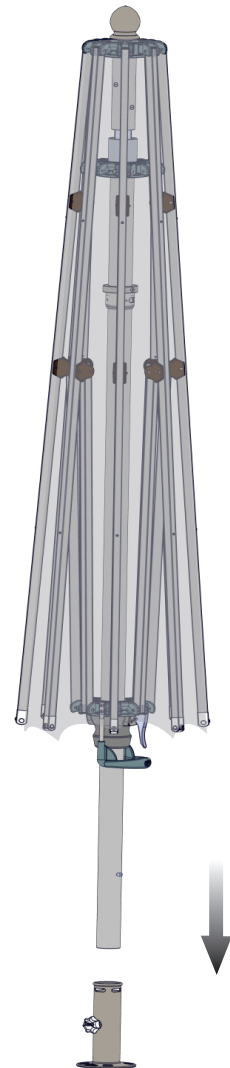


STEP 3

ONCE DECK MOUNT IS INSTALLED, PLACE THE PARASOL INSIDE THE DECK MOUNT AND TIGHTN STAR KNOB



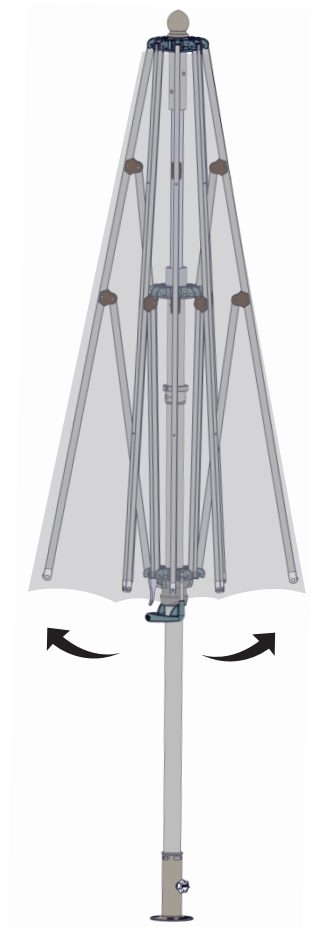
NOTE: ENSURE LOCK SPRING PIN IS IN ANCHOR SLOT TO SECURE PARASOL IN PLACE.



BAY MASTER MAX CENTER POST

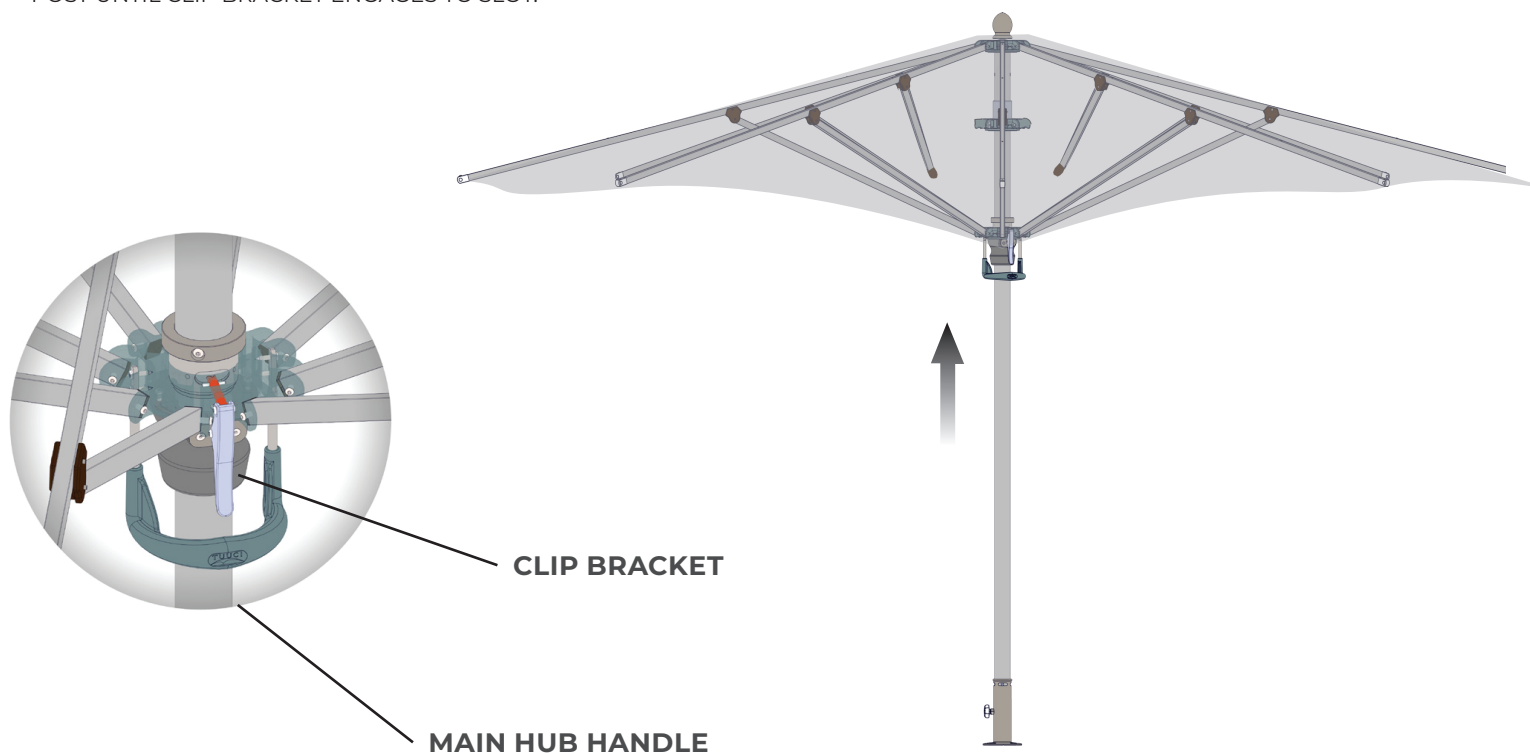
STEP 4

GENTLY SEPARATE EACH INDIVIDUAL RIB FROM CENTER POST, APPROXIMATELY 10 INCHES.



STEP 5

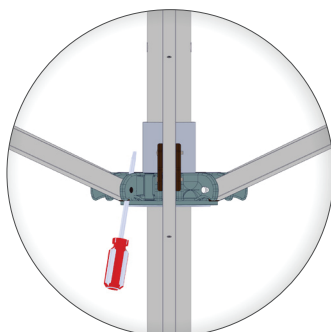
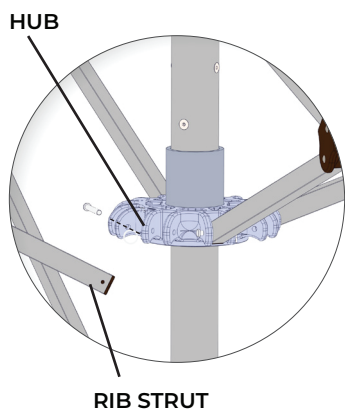
GENTLY SLIDE MAIN HUB HANDLE UP CENTER POST UNTIL CLIP BRACKET ENGAGES TO SLOT.



BAY MASTER MAX CENTER POST

STEP 6

CONNECT RIB STRUTS TO HUB WITH KEY RING CLIP.



NOTE: YOU MAY NEED TO USE A TOOL TO HELP ALIGN THE HOLES.



DO NOT OPERATE WITHOUT CONNECTING RIB STRUTS TO HUB WITH KEY RING CLIP.

BAY MASTER MAX CENTER POST

STEP 7

TO CLOSE PARASOL, PRESS DOWN CLIP BRACKET TO DISENGAGE FROM SLOT THEN SLIDE DOWN GENTLY.

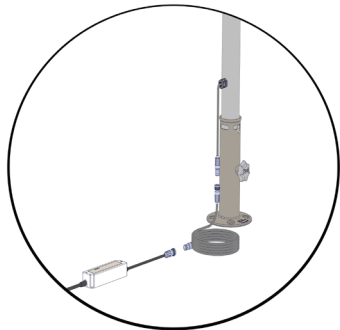


NOTE: CLOSE PARASOL DURING WIND CONDITIONS THAT EXCEED MANUFACTURER'S SPECIFICATIONS.

LIGHT ACCESSORIES

STEP 1

CONNECT ELECTRICAL EXTENSION CABLE.



STEP 2

PER JOB APPLICATION, CONNECT REQUIRED A/C PLUG TO THE FREE ENDS OF POWER SUPPLY.

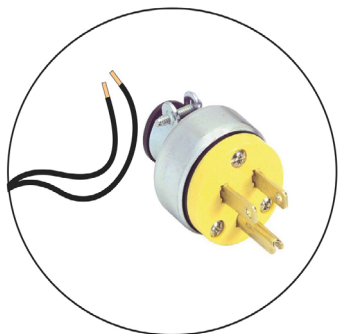
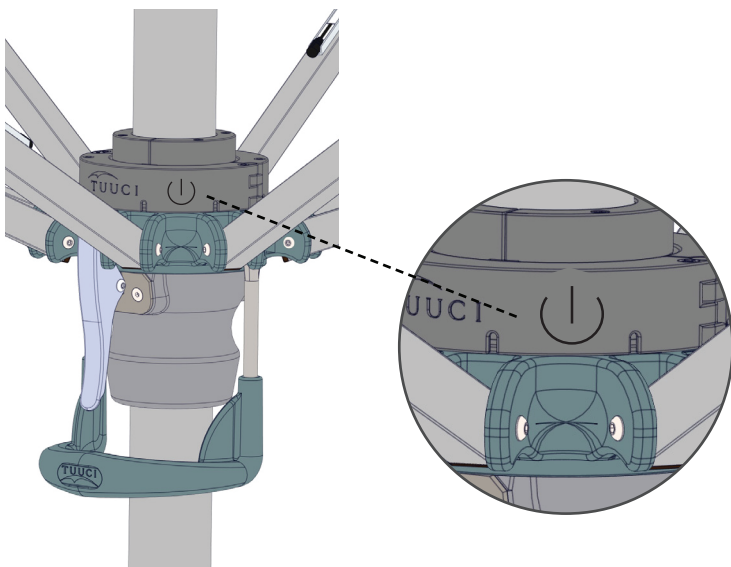


IMAGE FOR ILLUSTRATION ONLY.
A/C PLUG NOT INCLUDED.

STEP 3

USE TOUCH SENSOR DETECTOR TO CONTROL LIGHT BRIGHTNESS FROM LOW TO HIGH.



LIGHTING SPECIFICATIONS

Power Supply:		
1.	INPUT VOLTAGE	100-240 VAC/0.6 A 277 VAC/0.25 A
2.	OUTPUT VOLTAGE	12 VDC
3.	OUTPUT CURRENT	3.34 A

LIGHT SPECIFICATIONS:	
1.	4 LED BARS WITH THREE (3) LEVELS OF BRIGHTNESS OPERATED THROUGH A TOUCH SWITCH.
2.	OPERATING CURRENT: A. LOW: 0.07 A B. MEDIUM: 0.25 A C. HIGH: 0.60 A
3.	LED COLOR TEMPERATURE: 3000 K